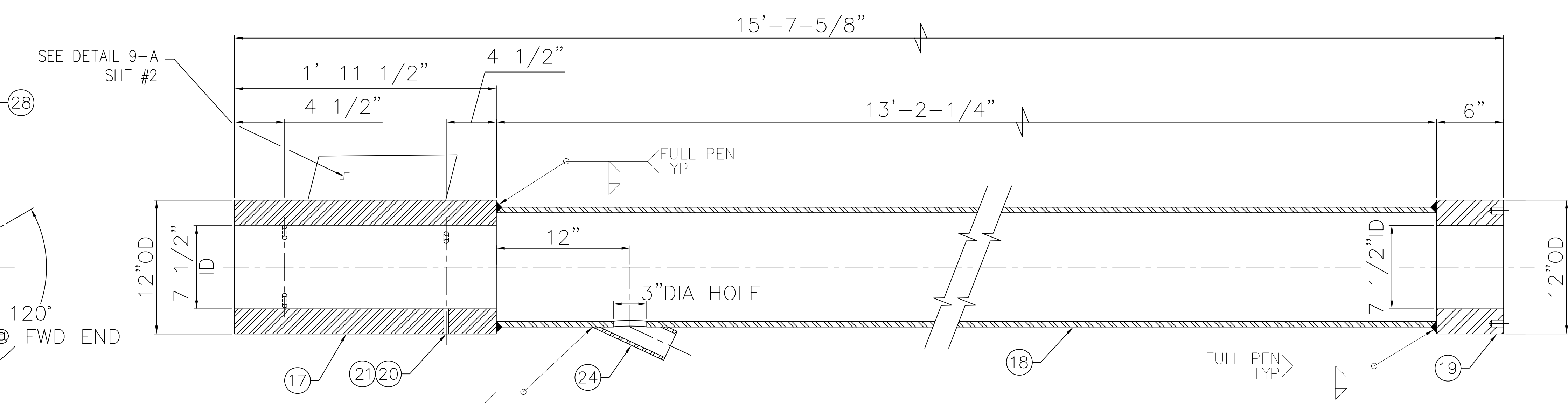
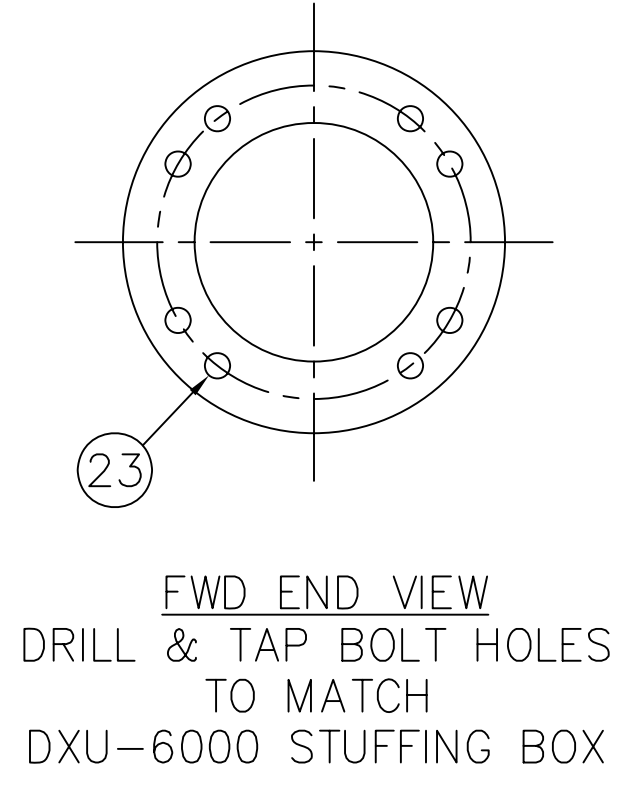


REVISIONS	
DATE	DESCRIPTION

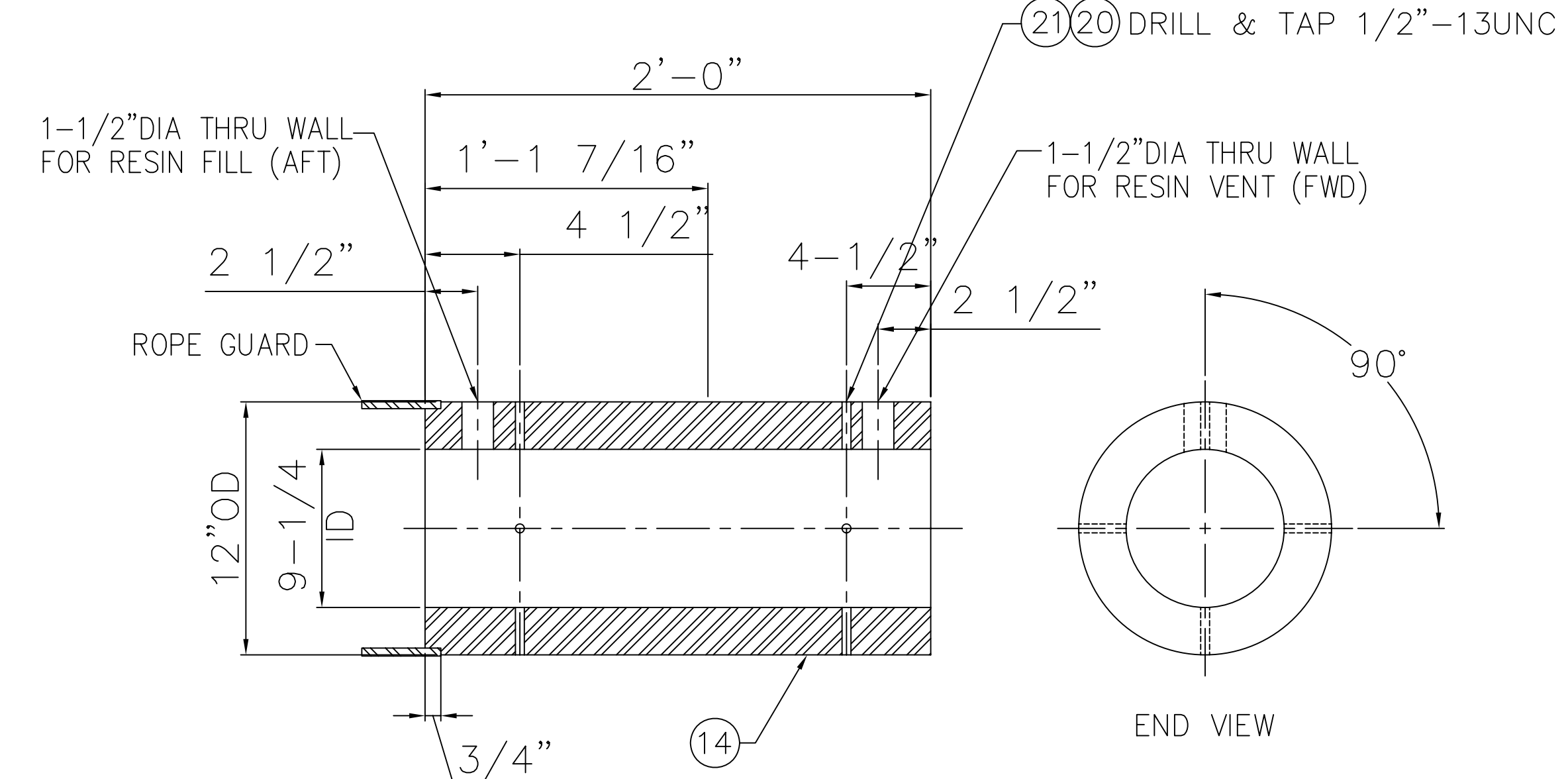


17 INTERMEDIATE STRUT BEARING HOUSING
SCALE: 1 1/2"=1'-0"

STERN TUBE DETAIL
SCALE: 1 1/2"=1'-0"



FWD END VIEW
DRILL & TAP BOLT HOLES
TO MATCH
DXU-6000 STUFFING BOX



14 AFT STRUT BEARING HOUSING
SCALE: 1 1/2"=1'-0"

REF	DRAWING TITLE	DRAWING NO
5		
4		
3	STRUT DETAILS	036-110-02
2	MAIN DECK SCANTLINGS	036-131-01
1	BOTTOM SCANTLINGS	036-113-01
REF	DRAWING TITLE	DRAWING NO

PROJECT: 162'-0" x 36'-0" x 11'-6" OFFSHORE UTILITY VESSEL	
DRAWING TITLE: SHAFT DETAILS	
DRAWN BY	CHECKED
APPROVED	
JOB NO.	
HULL NO.	
SIZE: D	DRAWING NO: 036-243-01
SCALE: 3/8" = 12"	DATE: 9/07/07
	SHEET 1 OF 2